

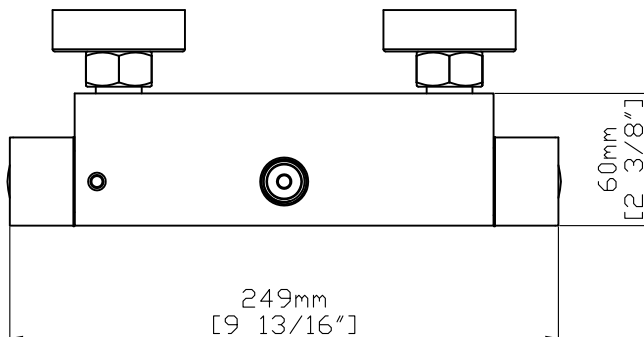
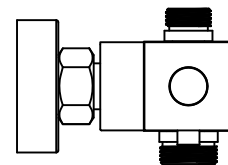
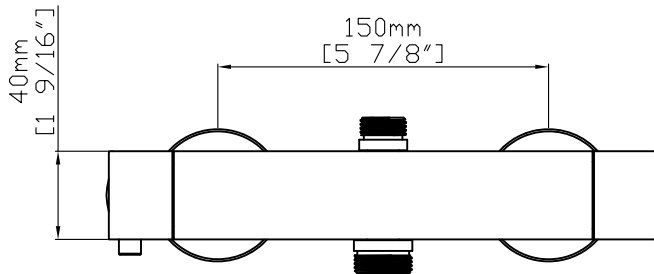
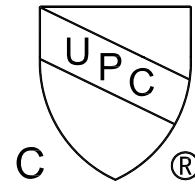
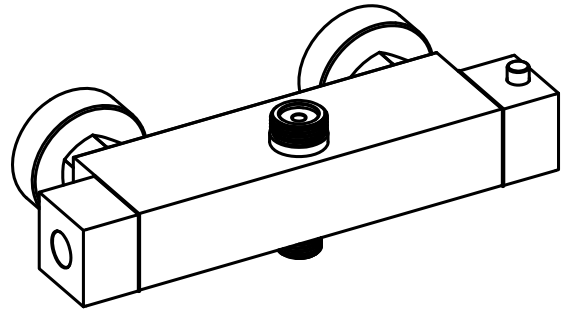
Specifications

DESCRIPTION

- Thermostatic Shower Column Valve
- Stainless Steel Construction

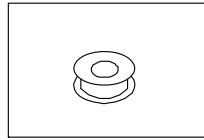
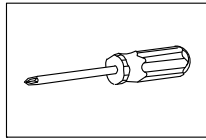
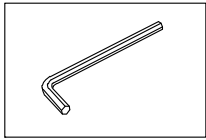
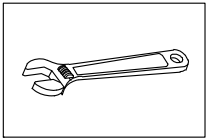
CARTRIDGE

- Thermostatic cartridge



Note: Dimensions are for reference only. Detailed information is in accordance with the final product.

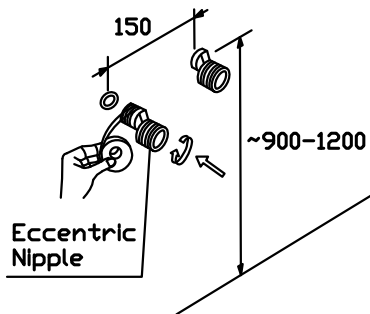
INSTALLATION MANUAL Tools You Will Need :



Adjustable wrench Hexagon wrench Phillips Screwdriver Pipe Tape

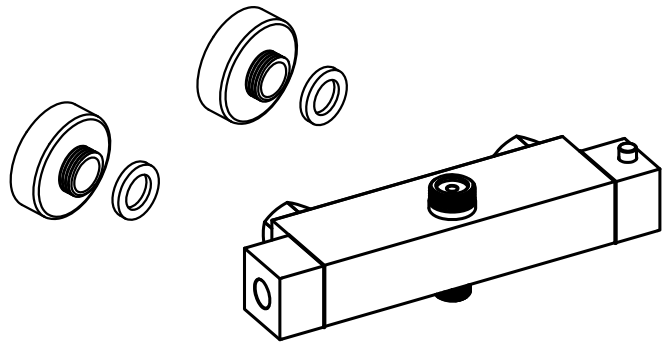
Notes before installation :

1. Please check that all components are present.
2. Before installation ensure that all feed lines are clear of debris and on/off valve is present.
3. Pictures in the manual are general in content and may not represent exactly your purchased faucet.
If you are having difficulties please contact a professional plumber.
4. If you will be away from home for an extended period you should shut off the main water supply.



Step 1

As shown, install the accessories and attach the tape.



Step 2

Install the main body and rubber pad.