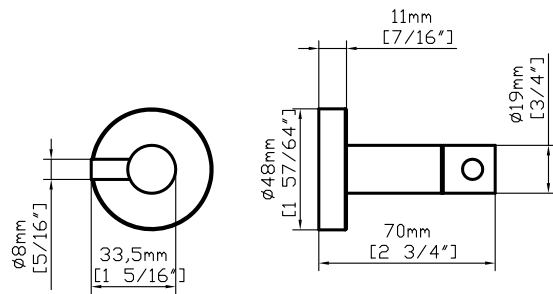


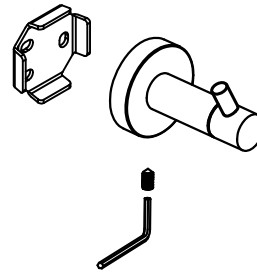
Robe Hook



Features

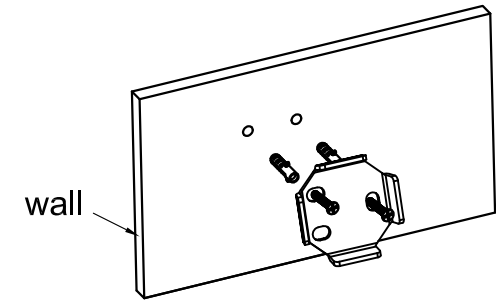
Material : Stainless Steel

1



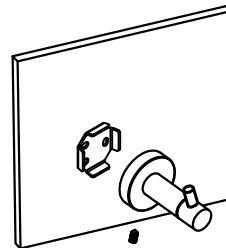
Loosen the set screw of the body assembly, pull out the mounting bracket.

2



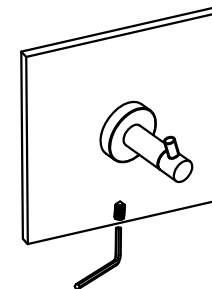
Install mounting bracket to the wall with screws(supplied) and anchors(if applicable).

3



Slide body assembly onto mounting bracket.

4



Tighten set screw with allen key (supplied) .