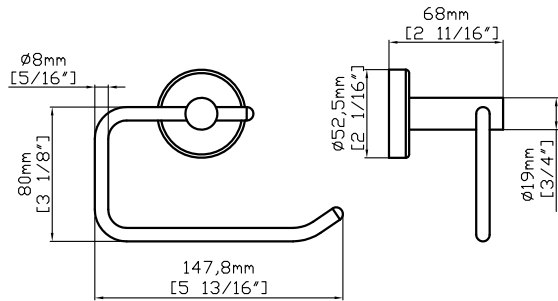


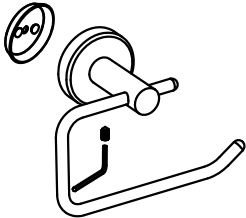
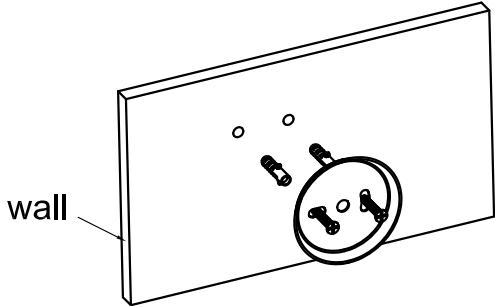
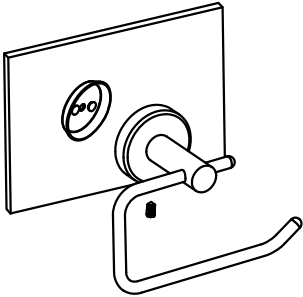
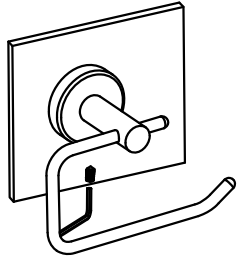
# Paper Holder



## Features

Material : Stainless Steel

SIZE IN MM

<p>1</p>  <p>Loosen the set screw of the body assembly, pull out the mounting bracket.</p>	<p>2</p>  <p>Install mounting bracket to the wall with screws(suppld) and anchors(if applicable).</p>
<p>3</p>  <p>Slide body assembly onto mounting bracket.</p>	<p>4</p>  <p>Tighten set screw with allen key (suppld) .</p>