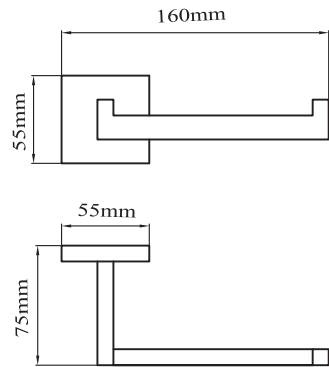
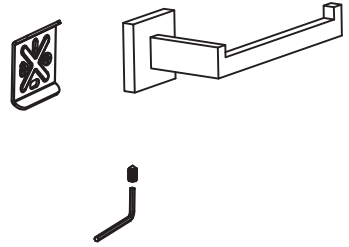
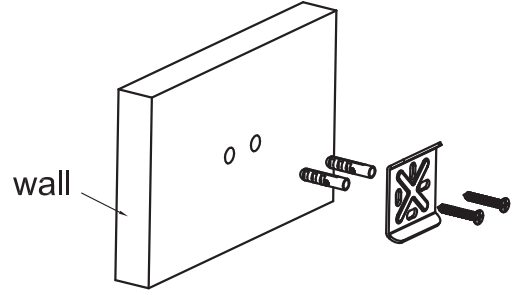
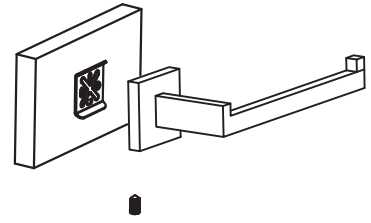
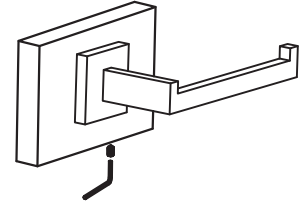


Paper Holder



Features

Material : Stainless Steel

<p>1</p>  <p>Loosen the set screw of the body assembly, pull out the mounting bracket.</p>	<p>2</p>  <p>Install mounting bracket to the wall with screws (supplied) and anchors (if applicable).</p>
<p>3</p>  <p>Slide body assembly onto mounting bracket.</p>	<p>4</p>  <p>Tighten set screw with allen key (supplied).</p>