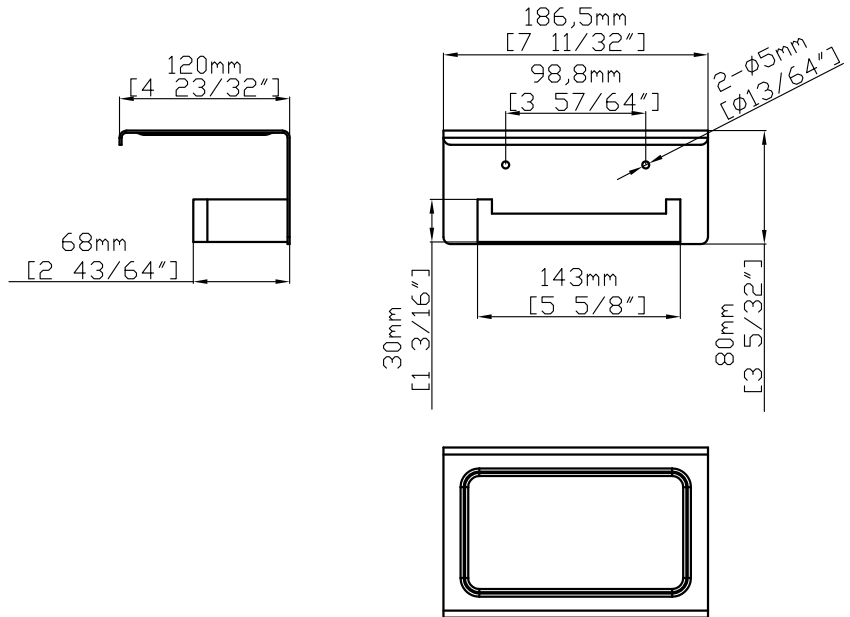


Toilet paper holder

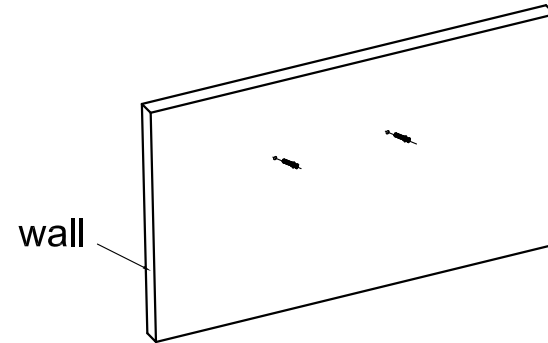


Features

Material : Stainless Steel

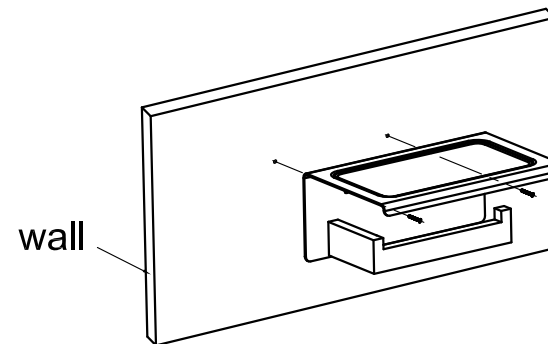
SIZE IN MM

1



Install plastic to the wall .

2



Use tapping screw to fix holder on the wall.